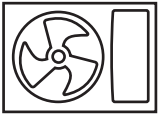


Residential Series

Freedom Series



Universal for:
Single Split System



High Performance Compressor

AUX partners with top compressor manufacturers globally to integrate high-quality components, such as inverter compressors, into its air conditioners, ensuring dependable performance and energy efficiency.



Precise Inverter Control Algorithm

Designed at a Japanese research and development centre with a total budget exceeding 120 million yen, the microchip is developed using 40-nanometre technology with a computational power of 240 DMPIS.



Wide Temperature Operating Range

The Freedom series maintains stable operation in extreme temperatures, with reliable performance from -22°C in heating mode to +52°C in cooling mode, ensuring year-round comfort.



Quick Cooling & Heating

The system boasts quick cooling and heating capabilities, achieving a rapid cooling time of just 30 seconds and heating in only 60 seconds, ensuring prompt comfort adjustment for optimal temperature control.



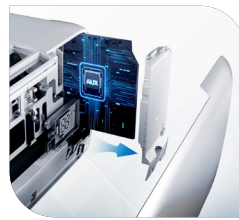
4D Airflow

The 4-way swing feature allows that the louvers to move both horizontally and vertically, allowing users to adjust the direction of the airflow as needed to suit their preferences.



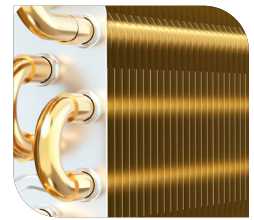
Auto Clean Function

With its self-cleaning function, the air conditioner alternates between cooling and heating modes at low fan speeds to collect dust on heat exchanger fins, dry the interior, and expel moist air, effectively preventing bacterial and mold growth to maintain a clean and safe environment.



Easy PCB Removal

The air conditioner's easy PCB removal simplifies maintenance tasks, ensuring efficient servicing with minimal hassle.



Golden Fin on Indoor & Outdoor Condenser.

3 times higher corrosion resistance compare to conventional heat exchangers. The golden coating protects the surface of the heat exchanger from unnecessary wear and corrosion while ensuring high efficiency operation.



Specifications

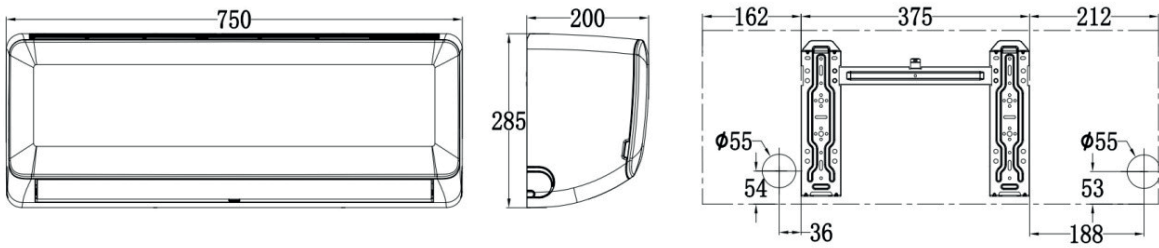
Voice
Activation
ModuleType L
Remote
ControllerWiFi
Control

| Size | | | 9K | 12K | 18K | 24K |
|---|--------------------|---------|---------------------------|---------------------------|---------------------------|---------------------------|
| Model | | | ASW-H09B5A4/ FAR3DI-EU | ASW-H12C5E4/ FAR3DI-EU | ASW-H18E0B4/ FAR3DI-EU | ASW-H24F7B4/ FAR3DI-EU |
| Rated Capacity | Cooling | kW | 2.6(0.6-3.1) | 3.5(0.8-4.1) | 5.1(1.3-5.3) | 7.2(1.8-7.4) |
| | Heating | kW | 2.6(1.0-3.4) | 3.8(1.0-4.2) | 5.4(1.3-5.5) | 7.2(1.8-8.0) |
| | Dehumidifying | Kg/h | 0.6 | 1 | 1,6 | 3 |
| Rated Power Consumption | Cooling | kW | 0.85(0.1-1.6) | 1.18(0.1-1.6) | 1.52(0.28-1.70) | 2.2(0.23-2.76) |
| | Heating | kW | 0.63(0.3-1.5) | 1.10(0.3-1.6) | 1.40(0.22-1.50) | 2.2(0.23-2.53) |
| Rated Running Current | Cooling | A | 3.9(0.9-6.9) | 5.6(0.7-7.8) | 7.0(1.2-7.5) | 10(1.0-12) |
| | Heating | A | 3.0(1.3-6.9) | 4.9(1.5-8.0) | 6.0(1.0-6.6) | 9.5(1.0-11) |
| Max. Input Power | | kW | 1.6 | 1.9 | 1.9 | 3.4 |
| Max. Input Current | | A | 9.5 | 9.5 | 9 | 16 |
| Pdesign-cooling (kW) | | / | 2.7 | 3.4 | 5.1 | 6.7 |
| Pdesign-heating (kW)-warmer | | / | 2.3 | 3.1 | 3.6 | 7 |
| Annual power consumption-cooling (kwh/a) | | / | 146 | 192 | 265 | 359 |
| Annual power consumption-heating (kwh/a)-warmer | | / | 801 | 851 | 937 | 1950 |
| SEER | | / | 6.5 | 6.2 | 6.7 | 5.27 |
| ENERGY LEVEL | | / | A++ | A++ | A++ | A++ |
| SCOP | | / | 5.2 | 5.1 | 5.3 | 5.31 |
| ENERGY LEVEL | | / | A+++ | A+++ | A+++ | A+++ |
| Power supply source | | V/Ph/Hz | 220V~/50Hz | 220-240V-1-50Hz | 220-240V-1-50Hz | 220-240V-1-50 |
| Refrigerant | | / | R32 | R32 | R32 | R32 |
| Refrigerant Charged | | g | 550 | 560 | 800 | 1300 |
| Air Flow Volume | | m3/h | 600 | 600 | 850 | 1300 |
| Noise level IDU | | dB (A) | 53 | 53 | 57 | 63 |
| Noise level ODU | | dB (A) | 61 | 62 | 62 | 66 |
| Indoor unit weight (Net) | | Kg | 8.5 | 8.5 | 11 | 14 |
| Outdoor unit weight (Net) | | Kg | 18 | 22.5 | 25 | 49 |
| IDU Fan motor | Rated Output Power | W | 18 | 18 | 30 | 50 |
| Compressor type | | / | rotary | rotary | rotary | rotary |
| Compressor Brand | | / | GMCC | GMCC | GMCC | SANYO |
| ODU Fan motor | Rated Power | W | 38 | 35 | 35 | 65 |
| IDU Net Dimension (WxDxH) | | mm | 750*285*200 | 750*285*200 | 900*310*225 | 1082*330*233 |
| IDU Packing Dimension (WxDxH) | | mm | 820*347*278 | 820*347*277 | 970*382*302 | 1155*397*312 |
| ODU Net Dimension (WxDxH) | | mm | 705*279*530 | 705*279*530 | 715*280*537 | 900*700*350 |
| ODU Packing Dimension (WxDxH) | | mm | 760*315*510 | 825*345*595 | 825*345*595 | 1020*770*430 |

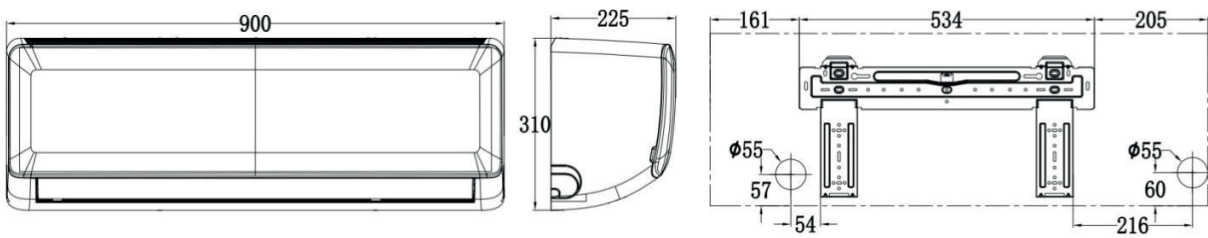
Freedom Series

Indoor Dimensions

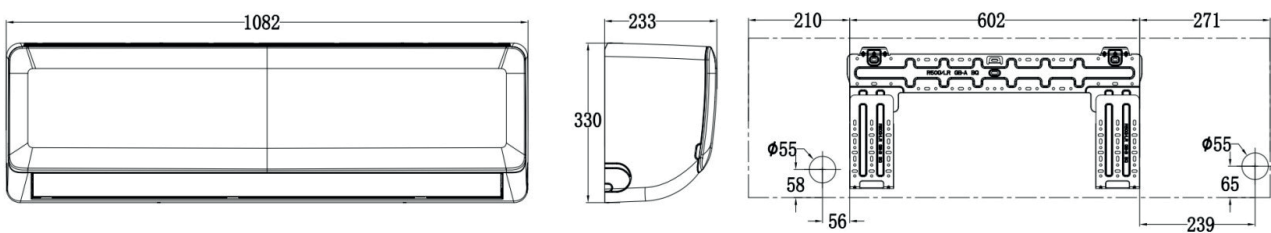
9K, 12 K AUX-RAC-09Freedom, AUX-RAC-12Freedom/l



18K AUX-RAC-18JFreedom/l



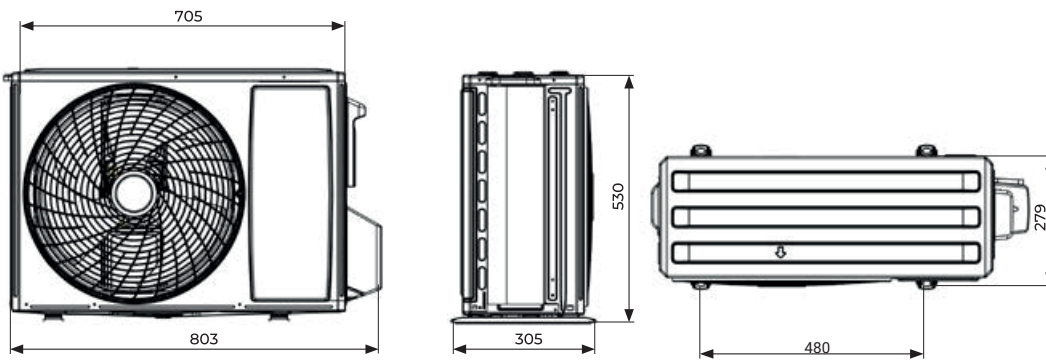
24K AUX-RAC-24JFreedom/l



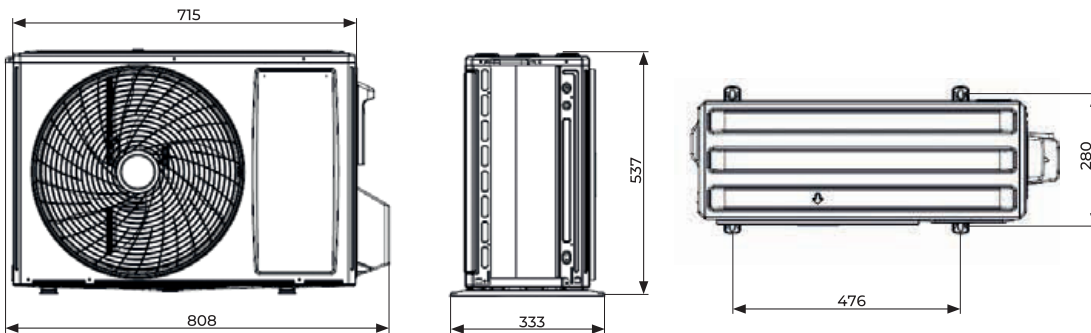
Freedom Series

Outdoor Dimensions

9K, 12K AUX-RAC-09Freedom/O , AUX-RAC-12Freedom/O



18K AUX-RAC-18Freedom/O



24 K AUX-RAC-24Freedom/O

